

## Installer Guide

Touchscreen  
*hybrid*

### Programmable Touchscreen Thermostat

**6425** Up to 4 Heat / 2 Cool Heat Pump  
Up to 3 Heat / 2 Cool Conventional  
*with Humidity Control* 💧

**1** Specifications    **2** Installation and Wiring    **3** Quick Reference  
**4** Installer Settings    **5** System Testing

 **Attention** *To prevent damage to the thermostat, never use a sharp instrument to press the touchscreen keys. Always press keys with your fingers.*

 **Warning** *For installation by experienced service technicians only.*

 **Warning** • *Possible electric shock or damage to equipment can occur.*  
• *Disconnect power before beginning installation.*

*This thermostat requires 24 Volt AC Power or 2 properly installed "AA" Alkaline batteries for proper operation. When connecting 24 Volt AC Power the batteries may be installed as a backup. Thermostat installation and all components of the system shall conform to Class II Circuits per NEC code.*

***For use only as described in this manual. Any other use will void warranty.***

## 1 Specifications

### This thermostat is compatible with:

- Single stage heat / cool conventional and heat pump systems
- Conventional systems up to 3 stages of heating and 2 stages of cooling
- Heat pump systems up to 4 stages of heating and 2 stages of cooling
- 250 – 750 millivolt heating only systems

### Electrical and control specifications:

- Electrical Rating: 24 Volt AC
- 1 amp maximum load per terminal
- AC Power: 18 – 30 Volts AC
- DC Power: 3.0 Volt DC (2 "AA" Alkaline Batteries Included)
- Control Range: 45° – 90° F (7° – 32° C)
- Temperature Accuracy: +/- 1° F (+/- .5° C)
- Outdoor Temperature Display Range:  
-40° - 120° F (-40° - 49° C)

### Terminations

Rc, Rh, G, W1/E/AUX1, W2/AUX2, W3/O/B, Y1, Y2, C,  
L, H, A/D, S1, S2

### Humidification Specifications

- Humidification Control Range: 10% - 50% RH
- Dehumidification Control Range: 40% - 80% RH

## 2 Installation and Wiring

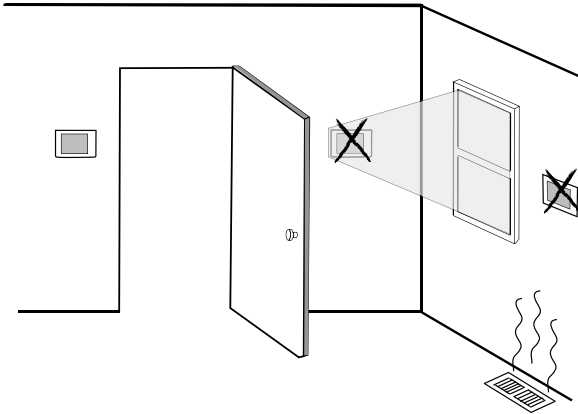


**Warning** *Disconnect power before beginning installation.*

### Thermostat Location

Install the thermostat approximately 5 feet (1.5m) above the floor in an area that has a good amount of air circulation and maintains an average room temperature.

Avoid installation in locations where the thermostat can be affected by drafts, dead air spots, hot or cold air ducts, sunlight, appliances, concealed pipes, chimneys and outside walls.

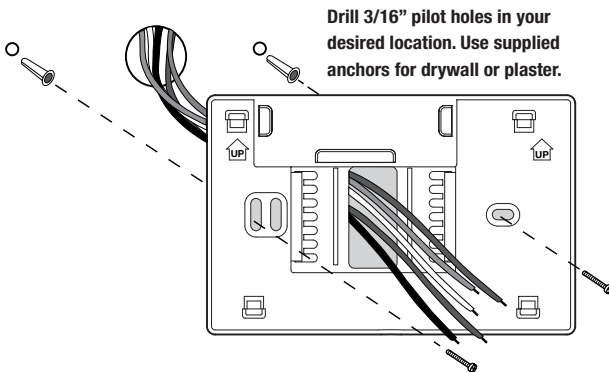


### Install your new Braeburn thermostat in 4 basic steps:

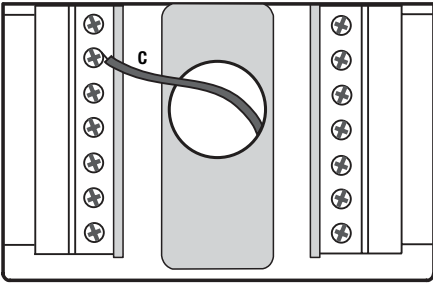
- 1 Install the sub-base
- 2 Provide Power
- 3 Connect your wires
- 4 Attach the thermostat to the sub-base

#### 1 Install the Sub-Base:

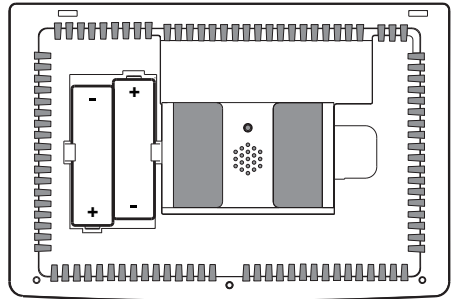
- Remove the sub-base from the body of the thermostat.
- Mount the sub-base as shown below:



## 2 Provide Power



24VAC Power Terminal (C)



Batteries Installed as Shown

- For 24 Volt AC power, you must connect the common side of the transformer to the C terminal on the thermostat sub-base. In dual transformer installations, the transformer common must come from the cooling transformer.
- For battery power, insert the 2 supplied “AA” type alkaline batteries into the battery compartment located in the rear housing of the thermostat. Make sure to position the Positive (+) and Negative (-) sides of the batteries correctly with the +/- symbols in the battery compartment.

### 3 Connecting Your Wires (continued)

#### Wiring Terminations

Terminal	Function	Description
H	Output	Humidifier
A / D	Output	(A) Economizer Control, (D) Dehumidifier
G	Output	Fan Control
Rc	Input	24 Volt AC Cooling Transformer (Dual Transformer Systems Only)
Rh	Input	Power Connection (24 Volt AC Heating Transformer or Millivolt Power Source)
W1 / E / AUX1	Output	(W1) 1st Stage Conventional Heat, (E) Emergency Heat, (AUX1) 1st Stage Auxiliary Heat
W2 / AUX2	Output	(W2) 2nd Stage Conventional Heat, (AUX2) 2nd Stage Aux Heat
W3 / O or B	Output	(W3) 3rd Stage Conventional Heat, (O) Cool Active Reversing Valve (B) Heat Active Reversing Valve
Y1	Output	1st Stage Compressor
Y2	Output	2nd Stage Compressor
C	Input	24 Volt AC Transformer Common
L	Input	System Malfunction Indicator
S1	Input	Optional Remote Sensor (Indoor or Outdoor)
S2		

## Conventional Systems

### Typical Wiring Configurations

**NOTE:** The “System Type” option will be configured in the Installer Settings section.

#### Heat Only or Millivolt

Set System Type to **11CONV**

<b>Rh</b>	Power Connection
<b>W1</b>	Heat Relay
<b>G</b>	Fan Relay <b>[note 4]</b>
<b>C</b>	24 Volt AC Transformer Common <b>[note 1]</b>

#### 1 HEAT / 1 COOL Single or Dual Transformer

Set System Type to **11CONV**

<b>Rh</b>	24 Volt AC Power (heating transformer) <b>[note 2]</b>
<b>Rc</b>	24 Volt AC Power (cooling transformer) <b>[note 2]</b>
<b>W1</b>	Heat Relay
<b>Y1</b>	Compressor Relay
<b>G</b>	Fan Relay
<b>C</b>	24 Volt AC Transformer Common <b>[note 1, 3]</b>

#### 2 HEAT / 2 COOL Single or Dual transformer

Set System Type to **22CONV**

<b>Rh</b>	24 Volt AC Power (heating transformer) <b>[note 2]</b>
<b>Rc</b>	24 Volt AC Power (cooling transformer) <b>[note 2]</b>
<b>W1</b>	Heat Relay Stage 1
<b>W2</b>	Heat Relay Stage 2
<b>Y1</b>	Compressor Relay Stage 1
<b>Y2</b>	Compressor Relay Stage 2 <b>[note 4]</b>
<b>G</b>	Fan Relay
<b>C</b>	24 Volt AC Transformer Common <b>[note 1, 3]</b>

#### 3 HEAT / 2 COOL Single or Dual Transformer

Set System Type to **32CONV**

<b>Rh</b>	24 Volt AC Power (heating transformer) <b>[note 2]</b>
<b>Rc</b>	24 Volt AC Power (cooling transformer) <b>[note 2]</b>
<b>W1</b>	Heat Relay Stage 1
<b>W2</b>	Heat Relay Stage 2
<b>W3</b>	Heat Relay Stage 3
<b>Y1</b>	Compressor Relay Stage 1
<b>Y2</b>	Compressor Relay Stage 2 <b>[note 4]</b>
<b>G</b>	Fan Relay
<b>C</b>	24 Volt AC Transformer Common <b>[note 1, 3]</b>

#### NOTES - Conventional Systems

- [1]** Optional 24 Volt AC common connection.
- [2]** Remove factory installed jumper for dual transformer systems.
- [3]** In dual transformer systems, transformer common must come from cooling transformer.
- [4]** If needed for system.

*Provide disconnect and overload protection as required.*

# Heat Pump Systems

## Typical Wiring Configurations

**NOTE:** The “System Type” option will be configured in the Installer Settings section.

### 1 HEAT / 1 COOL - No Auxiliary Heat

Set System Type to **11HP**

<b>Rh</b>	24 Volt AC Power
<b>Rc</b>	Connected to Rh with supplied Jumper Wire
<b>O/B</b>	Changeover Valve <b>[note 2]</b>
<b>Y1</b>	Compressor Relay
<b>G</b>	Fan Relay
<b>C</b>	24 Volt AC Transformer Common <b>[note 1]</b>

### 2 HEAT / 2 COOL - No Auxiliary Heat

Set System Type to **32HP**

<b>Rh</b>	24 Volt AC Power
<b>Rc</b>	Connected to Rh with supplied Jumper Wire
<b>O/B</b>	Changeover Valve <b>[note 2]</b>
<b>Y1</b>	Compressor 1 Relay (1st stage heating/cooling)
<b>Y2</b>	Compressor 2 Relay (2nd stage heating/cooling)
<b>G</b>	Fan Relay
<b>C</b>	24 Volt AC Transformer Common <b>[note 1]</b>
<b>L</b>	Optional System Fault Monitor <b>[note 4]</b>

### 2 HEAT / 1 COOL - Including Auxiliary Heat

Set System Type to **22HP**

<b>Rh</b>	24 Volt AC Power
<b>Rc</b>	Connected to Rh with supplied Jumper Wire
<b>O/B</b>	Changeover Valve <b>[note 2]</b>
<b>Y1</b>	Compressor Relay (1st stage heating/cooling)
<b>W2</b>	Auxiliary Heat Relay (2nd stage heating) <b>[note 3]</b>
<b>E</b>	Emergency Heat Relay <b>[note 3]</b>
<b>G</b>	Fan Relay
<b>C</b>	24 Volt AC Transformer Common <b>[note 1]</b>
<b>L</b>	Optional System Fault Monitor <b>[note 4]</b>

### 3 HEAT / 2 COOL – Including Auxiliary Heat

Set System Type to **32HP**

<b>Rh</b>	24 Volt AC Power
<b>Rc</b>	Connected to Rh with supplied Jumper Wire
<b>O/B</b>	Changeover Valve <b>[note 2]</b>
<b>Y1</b>	Compressor 1 Relay (1st stage heating/cooling)
<b>Y2</b>	Compressor 2 Relay (2nd stage heating/cooling)
<b>AUX1/E</b>	Auxiliary Heat Relay (3rd stage heating) /Emergency Heat <b>[note 5]</b>
<b>E</b>	Emergency Heat Relay <b>[note 5]</b>
<b>G</b>	Fan Relay
<b>C</b>	24 Volt AC Transformer Common <b>[note 1]</b>
<b>L</b>	Optional System Fault Monitor <b>[note 4]</b>

### 4 HEAT / 2 COOL - Including Auxiliary Heat

Set System Type to **42HP**

<b>Rh</b>	24 Volt AC Power
<b>Rc</b>	Connected to Rh with supplied Jumper Wire
<b>O/B</b>	Changeover Valve <b>[note 2]</b>
<b>Y1</b>	Compressor 1 Relay (1st stage heating/cooling)
<b>Y2</b>	Compressor 2 Relay (2nd stage heating/cooling)
<b>AUX1/E</b>	Auxiliary Heat Relay 1 (3rd stage heating) /Emergency Heat <b>[note 5]</b>
<b>AUX2</b>	Auxiliary Heat Relay 2 Relay (4th stage heating)
<b>E</b>	Emergency Heat Relay <b>[note 5]</b>
<b>G</b>	Fan Relay
<b>C</b>	24 Volt AC Transformer Common <b>[note 1]</b>
<b>L</b>	Optional System Fault Monitor <b>[note 4]</b>

### NOTES - Heat Pump Systems

- [1]** Optional 24 Volt AC common connection.
- [2]** O (cool active) or B (heat active) is selected in the Installer Settings menu.
- [3]** Install a field supplied jumper between the W2/AUX2 and W1/E/AUX1 terminals if there is no separate emergency heat relay installed.
- [4]** If the L terminal is used, the 24 Volt AC common must be connected (C terminal).
- [5]** If a separate emergency heat relay is installed, the W1/E/AUX1 terminal should have both the auxiliary heat 1 relay and emergency heat relay connected.

*Provide disconnect and overload protection as required.*

## All System Types

### Additional Wiring Options

**NOTE:** Additional options are configured in the Installer Settings section.

<b>S1</b>	Indoor or Outdoor Remote Sensor <b>[note 1]</b>
<b>S2</b>	
<b>A/D</b>	Economizer Control / Dehumidification Output <b>[note 2]</b>
<b>H</b>	Humidification Output <b>[note 3]</b>

#### NOTES - Additional Wiring Options

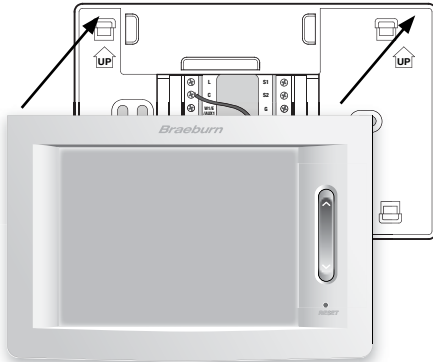
**[1]** These terminals can be used to connect a Braeburn® indoor or outdoor remote sensor.

**[2]** This terminal can be used for:

- A) Outside air control
- B) Control an external dehumidifier
- C) Fan speed reduction

**[3]** This terminal can be used to connect an external humidifier.

#### 4 Attaching the thermostat to the sub-base



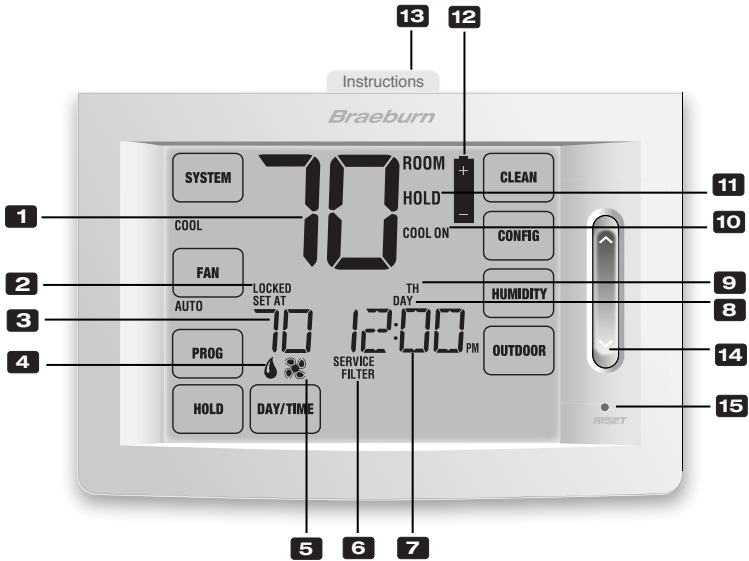
- 1) Line up the thermostat body with the sub-base.
- 2) Carefully push the thermostat body against the sub-base until it snaps in place.



- 3) Insert Quick Reference Card into slot on top of thermostat.

**NOTE:** This thermostat ships configured as a 1H/1C conventional thermostat. Confirm installer settings. See page 10.

### 3 Quick Reference



## Thermostat Display

- 1** **Room Temperature** ..... Displays the current room temperature
- 2** **Lock Mode Indicator** ..... Indicates if the thermostat is locked
- 3** **Set Temperature** ..... Displays the current set point temperature
- 4** **Humidity Indicator** ..... Indicates when there is a call for humidity
- 5** **Fan Indicator** ..... Indicates when the system fan is running
- 6** **Service Indicators** ..... Displays various service/maintenance information
- 7** **Time of Day** ..... Displays the current time of day
- 8** **Program Event Indicator** ..... Displays the program event
- 9** **Day of the Week** ..... Displays the current day of the week
- 10** **System Status Indicator** ..... Displays information about the status of the system
- 11** **Hold Mode Indicator** ..... Indicates if the thermostat is in HOLD mode
- 12** **Low Battery Indicator** ..... Indicates when the batteries need to be replaced

## Thermostat

- 13** **Quick Reference Instructions** ..... Stored in slot located at top of thermostat
- 14** **SpeedBar**® ..... Increases or decreases settings (time, temperature, etc.)
- 15** **Reset Button** ..... Resets current time, program and user settings
- Installer Clear Button** ..... Located on back of thermostat body – clears all settings
- Battery Compartment** ..... Located in the back of thermostat





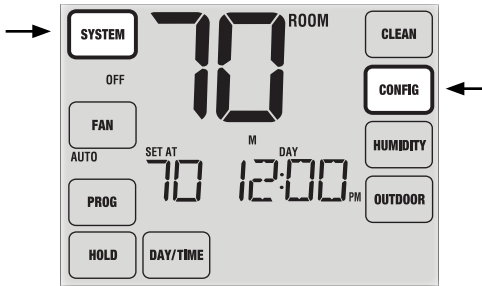
## Thermostat TouchPads

*NOTE: Thermostat TouchPads are located on the left, right and bottom portions of the display screen. They are the "touch sensitive" segments used to adjust your thermostat. Depending on the equipment installed, all touch pads may not show.*

<b>SYSTEM</b>	Selects AUTO (Heat/Cool), COOL, OFF HEAT or EMER (Emergency Heat)
<b>FAN</b>	Selects AUTO, ON, CIRC (Circulation) and PROG (Program) fan modes
<b>PROG</b>	Selects programming mode or press for 3 seconds to select SpeedSet® mode
<b>HOLD</b>	Enters / Exits the HOLD mode (program bypass)
<b>DAY/TIME</b>	Sets the current time and day of the week
<b>BACK</b>	Moves back in setting and programming modes
<b>NEXT</b>	Moves forward in setting and programming modes
<b>RETURN</b>	Returns to normal mode from program or settings modes
<b>OUTDOOR</b>	Displays the outdoor temperature if a Braeburn® outdoor sensor is installed
<b>HUMIDITY</b>	Displays or adjust the current humidity level
<b>CONFIG</b>	Enters the User and Installer settings modes
<b>CLEAN</b>	Enters a brief screen cleaning mode

## 4 Installer Settings

The Installer Settings must be properly configured in order for this thermostat to operate correctly. The Installer Settings are menu driven. The portion of these settings that do not apply to your setup will be skipped. These settings are indicated below with comments. More detail on each setting follows this table.



1. Touch and hold down the **SYSTEM** and **CONFIG** TouchPads for 3 seconds.
2. Release both buttons and the first installer setting will be displayed.
3. Change settings as required using the **UP** or **DOWN** portion of the SpeedBar®.
4. Touch **NEXT** or **BACK** to move to the next or previous setting, touch **RETURN** to exit.

No.	Installer Setting (Notes follow this table)	Factory Default	Setting Options	Comments (More information follows this table)
1	Residential or or Commercial Profile	RES	RES COMM	Select for Residential profile Select for Commercial profile
2	Programming Mode <b>[note 1]</b>	7PROG	7PROG 5-2 PROG NO PROG	Select for 7 day programming mode Select for 5-2 day programming mode Select for non-programmable mode
3	Clock Format	12 HR	12 HR 24 HR	Select for 12 hour clock Select for 24 hour clock
4	Temperature Scale	F DEG	F DEG C DEG	Select for Fahrenheit display Select for Celsius display
5	Auto Changeover	oF AUTO	oF AUTO oN AUTO	Disables Auto Changeover mode Enables Auto Changeover mode
6	System Type	1CONV	1CONV 2CONV 3CONV 1HP 2HP 3HP 4HP	Select for 1H/1C Conventional system Select for 2H/2C Conventional system Select for 3H/2C Conventional system Select for 1H/1C Heat Pump system Select for 2H/2C Heat Pump system Select for 3H/2C Heat Pump system Select for 4H/2C Heat Pump system
7	1st Stage Differential	0.5 DIF1	0.5, 1.0 or 2.0 DIF1	Select a 1st stage temperature differential of .5°, 1° or 2° F (.25°, .5° or 2° C)
8	2nd Stage Differential <b>[note 2]</b>	2.0 DIF2	1.0, 2.0, 3.0, 4.0, 5.0 or 6.0 DIF2	Select a 2nd stage temperature differential of 1°, 2°, 3°, 4°, 5° or 6° F (.5°, 1°, 1.5°, 2°, 2.5° or 3° C)
9	3rd Stage Differential <b>[note 2]</b>	2.0 DIF3	1.0, 2.0, 3.0, 4.0, 5.0 or 6.0 DIF3	Select a 3rd stage temperature differential of 1°, 2°, 3°, 4°, 5° or 6° F (.5°, 1°, 1.5°, 2°, 2.5° or 3° C)
10	4th Stage Differential <b>[note 2]</b>	2.0 DIF4	1.0, 2.0, 3.0, 4.0, 5.0 or 6.0 DIF4	Select a 4th stage temperature differential of 1°, 2°, 3°, 4°, 5° or 6° F (.5°, 1°, 1.5°, 2°, 2.5° or 3° C)

No.	Installer Setting (Notes follow this table)	Factory Default	Setting Options	Comments (More information follows this table)
11	1st Stage Fan Control [note 3]	HG FAN 1	HG FAN 1 HE FAN 1	Select for 1st stage Gas heating Select for 1st stage Electric heating
12	Emergency Heat] Fan Control [note 4]	HE EMER	HE EMER HG EMER	Select for Electric Emergency Heat Select for Gas Emergency Heat
13	Reversing Valve (O/B Terminal) [note 5]	REVD	REVD REVB	Select for cool active Reversing Valve (O terminal) Select for heat active Reversing Valve (B terminal)
14	Fossil Fuel Backup Heat [note 4]	AE AUX	AE AUX AG AUX	Select for Electric Auxiliary heat (with compressor) Select for Gas Auxiliary heat (without compressor)
15	Compressor Power Outage Protection [notes 3, 6]	oF CPOP	oF CPOP oM CPOP	Disables Power Outage Lockout Delay Enables Power Outage Lockout Delay
16	AC Power Interrupt Warning [note 6]	AC oF MONR	AC oF MONR AC oM MONR	Disables AC Power Interrupt Warning Enables AC Power Interrupt Warning
17	Compressor Short Cycle Protection	5 CSCP	5, 4, 3, 2 or 0 CSCP	Select a compressor short cycle protection delay of 5, 4, 3, 2 or 0 minutes
18	Residual Cooling Fan Delay	60 FAN	90, 60, 30 or 0 FAN	Select a Residual Cooling Fan Delay of 90, 60, 30 or 0 seconds.
19	Circulating Fan Lock	oF CIRC	oF CIRC oM CIRC	Disables Circulating Fan Lock mode Enables Circulating Fan Lock mode
20	Adaptive Recovery Mode (ARM™) [note 7]	oF REC	oF REC oM REC	Disables Adaptive (early) Recovery mode Enables Adaptive (early) Recovery mode
21	Indoor Remote Sensor Control* [note 8]	1 SENS	1 SENS E SENS A SENS	Temperature is sensed from thermostat only. Temperature is sensed from remote sensor only. Temperature is combined with the thermostat and the remote sensor.
22	Lockout Security Level	2 LOCK	2 LOCK 1 LOCK	If locked – Complete lockout is enabled If locked – Partial lockout is enabled (SpeedBar® is still functional)
23	Humidification	OFF	OFF DEP IND	Disables Humidification Enables Dependent Humidification Enables Independent Humidification
24	Auto Humidity Set Point Limit [notes 9, 12]	AUTO	AUTO MAN	Enables automatic humidity control based on outdoor temperature. Enables manual humidity control from thermostat.
25	Dehumidification	OFF	OFF DEP IND	Disables Dehumidification Enables Dependent Dehumidification Enables Independent Dehumidification
26	Dehumidification Over Cooling Limit [note 10]	1.0 LIM	1.0, 2.0 or 3.0 LIM	Select a dehumidification over cooling limit of 1.0°, 2.0° or 3.0° F (.5°, 1.0° or 1.5° C)
27	Dehumidification Terminal (D) Output	OFF	OFF NI NA	Disables Dehumidification Terminal (D) Selects normally inactive relay (N/O) Selects normally active relay (N/C)
28	Auto Changeover Dead Band [note 11]	3 BAND	2, 3, 4 or 5 BAND	Select a Dead Band of 2°, 3°, 4° or 5° F (1°, 2° or 3° C) for Auto Changeover mode.
29	Compressor Balance Point [notes 4, 12]	NO BALC	NO BALC 15-50 BALC	Disables Balance Points Select a Compressor Balance Point of 15°- 50 °F (-9°-10° C)
30	Auxiliary Heat Balance Point [notes 4, 12]	NO BALA	NO BALA 70-40 BALA	Disables Balance Points Select a Auxiliary Heat Balance Point of 70°- 40° F (21°- 4° C)

No.	Installer Setting (Notes follow this table)	Factory Default	Setting Options	Comments (More information follows this table)
31	Outside Air Intake (A Terminal) <b>[note 13]</b>	OR NONE	OR NONE OR ECON OR TOD	Disables Outside Air Intake option Enables Outside Air Intake (Economizer Mode) Enables Outside Air Intake (Time of Day Mode)
32	Heat Set Point Upper Limit	90LiF	90-60 LiF	Select a Heat Set Point Upper Limit of 90°-60° F (32°-10° C)
33	Cool Set Point Lower Limit	45LiF	45-80 LiF	Select a Cool Set Point Lower Limit of 45°-80° F (7°-27° C)

\*When a Braeburn® outdoor sensor is connected, the thermostat automatically recognizes it.

**NOTE:** Additional options such as Service Monitors, Setting the lock code, audible tone, etc. are located in the User Settings – See User manual for information on setting these options.

## NOTES - Installer Settings

- 1 Only available if Residential profile was selected in option 1.
- 2 Only available if a 2, 3 or 4 stage system type was selected in option 6.
- 3 Only available if a Conventional system was selected in option 6.
- 4 Only available if a 2, 3 or 4 stage Heat Pump system was selected in option 6.
- 5 Only available if a Heat Pump system was selected in option 6.
- 6 Only available if the 24 Volt AC common wire is connected to the C terminal.
- 7 Only available if a programmable profile was selected in option 2.
- 8 Only available if a Braeburn® indoor remote sensor was connected.
- 9 Only available if humidification was enabled in option 23.
- 10 Only available if dependent dehumidification was enabled in option 25.
- 11 Only available if auto changeover was enabled in option 5.
- 12 Only available if a Braeburn outdoor sensor was connected.
- 13 Only available if Commercial profile was selected in option 1.

### Detailed Explanation of Installer Settings (also see NOTES above):

- 1 **Profile** – Selects a residential (RES) or commercial (COMM) profile. If residential is selected, 4 programming events per day are available. If commercial is selected, 2 event, 7 day programming is available.
- 2 **Programming Mode [note 1]** – Selects the programming mode, either full 7 day or 5-2 day (weekday/ weekend) programming or non-programmable.
- 3 **Clock Type** – Selects either a 12 hour or 24 hour clock.
- 4 **Temperature Scale** – Selects a temperature scale of either °F or °C.
- 5 **Auto Changeover** – Selects auto changeover on or off. When auto changeover mode is enabled and selected, the system automatically switches between heating and cooling modes.  
**NOTE:** Also see “Auto Changeover Dead Band” in option 28.
- 6 **System Type** – Selects the system type for your installation. **NOTE:** Changes made to this option will reset options 7 through 15 back to their default values dependant on the system type.
- 7 **1st Stage Differential** – Selects a 1st stage temperature differential.
- 8 **2nd Stage Differential [note 2]** – Selects a 2nd stage temperature differential.
- 9 **3rd Stage Differential [note 2]** – Selects a 3rd stage temperature differential.
- 10 **4th Stage Differential [note 2]** – Selects a 4th stage temperature differential.
- 11 **1st Stage Fan Control [note 3]** – Selects a 1st stage fan control of either gas or electric heat.
- 12 **Emergency Heat Fan Control [note 4]** – Selects emergency heat fan control of either gas or electric heat.

- 13 Reversing Valve [Note 5]** – Selects the output state of the O/B terminal. Select 0 for this terminal to be active in the cool mode or select B for this terminal to be active in the heat mode.
- 14 Auxiliary Fossil Fuel Heat Pump Control [note 4]** – When set to electric (AE AUX), both the compressor (1st stage) and auxiliary stage(s) will run when a call for auxiliary heat is made. When set to gas (AG AUX), the compressor stage(s) will be locked out one minute after a call for auxiliary heat. **NOTE:** *This option can be overridden if setting an auxiliary heat balance point in Option 30.*
- 15 Compressor Power Outage Protection [notes 3, 6]** – Selects power outage protection on or off. When enabled, this thermostat will provide cold weather compressor protection by locking out the compressor stage(s) of heating for a period of time after a power outage greater than 60 minutes.
- 16 AC Power Interrupt Warning [note 6]** – When enabled, the thermostat will display an outage warning when AC power to the thermostat is lost.
- 17 Short Cycle Protection** – Selects the number of minutes the cooling compressor will be locked out after turning off. This short cycle protection is also active in the heat mode if a heat pump system was selected in Option 6.
- 18 Residual Cooling Fan Delay** – Selects a delay for the system fan after the cooling compressor has turned off. This delay will help remove the remaining cool air out of the ductwork providing additional efficiency.
- 19 Circulating Fan Lock** – When enabled, the only user fan options available are ON and CIRC (Circulation). The AUTO option is not available with this option enabled.
- 20 Adaptive Recovery Mode (early recovery) [note 7]** – Enables or disables the ARM™ (adaptive recovery mode) feature. During ARM, room temperature is recovered by turning on the heating or cooling before the end of the set back period. The set point temperature is changed to that of the upcoming program temperature.
- 21 Indoor Remote Sensor Control [note 8]** – If a Braeburn® indoor remote sensor is connected during installation, the thermostat will automatically detect the sensor. When an indoor sensor is detected, you may select between thermostat only (I SENS), remote sensor only (E SENS) or combining the thermostat and the remote sensor (A SENS). **NOTE:** *This option does not apply to a Braeburn outdoor sensor. When an outdoor sensor is connected the thermostat automatically recognizes it and no further configuration is necessary.*
- 22 Lockout Security Level** – Selects the level of keypad lockout when the thermostat is locked. Level 2 locks the entire thermostat (including the front reset button). Level 1 locks everything except the SpeedBar® allowing for up and down temperature adjustment. **NOTE:** *The lock code is set in the User Settings mode (see User Manual).*
- 23 Humidification Mode** – For use with an external humidifier. Selects between disabling humidification (OFF), dependant control (DEP) or independent control (IND). The DEP setting controls humidification only during a call for heating. The IND setting allows humidification output in the heat mode, but does not require a call for heating. **NOTE:** *It is recommended that the IND setting only be used with systems designed for low air temperature humidification such as steam humidification. Always ensure the heat exchanger or other system parts are not exposed to excess water from condensation or other sources. When there is any doubt, use the OFF or DEP setting.*
- 24 Auto Humidity Set Point Limit [notes 9, 11]** – Select between turning the automatic humidity set point limit to auto (AUTO) or manual (MAN). When AUTO is selected, humidity control is provided automatically based on the outdoor temperature. Selecting MAN allows you to manually control the level of humidity.
- 25 Dehumidification** – Selects between dehumidification disabled (OFF), dependent dehumidification (DEP) or independent dehumidification (IND). (DEP) If the humidity level is above the humidity set point, cooling stays on until the humidity level drops below the set point or when the over cooling limit is reached in installer setting 26. (IND) For use with an external dehumidifier. When the humidity level rises above the dehumidification set point, both the G (Fan) and D terminals are activated. Installer setting 27 sets if D is normally active or inactive.
- 26 Dehumidification Over Cooling Limit [note 10]** – Select the number of degrees the system is allowed to over cool in attempting to reduce humidity.

- 27 Dehumidification Terminal (D) Output** – Select normally inactive relay (NI) or a normally active (NA) relay. This setting can be used in independent or dependent modes and can also be used for dehumidification fan speed control.
- 28 Auto Changeover Dead Band [note 11]** – When Auto Changeover mode is enabled in option 5 and selected, the system automatically switches between heating and cooling when the room temperature meets the normal criteria for either a heating or cooling call. There is a forced separation (dead band) between the heating and cooling set points so the systems do not work against each other. This option selects the amount of this dead band in degrees with the default being 3° F.

Dehumidification Over Cooling Limit	Allowable Dead Band
Dehumidification not enabled	2, 3, 4 or 5° F (1, 2 or 3° C)
1° F (.5° C)	3, 4 or 5° F (1, 2 or 3° C)
2° F (1.0° C)	4 or 5° F (2 or 3° C)
3° F (1.5° C)	5° F (3° C)

- 29 Compressor Balance Point [notes 4, 12]** – Locks out the use of the compressor heat stage when the outside air temperature is less than the selected setting of 15° F to 50° F (-9° C to 10° C).
- 30 Auxiliary Heat Balance Point [notes 4, 12]** – Locks out the use of the auxiliary heat stage when the outside air temperature exceeds the selected setting of 70° F to 40° F (21° C to 4° C). **NOTE:** *This balance point overrides the fossil fuel compressor lockout in option 14. If this option is set to gas and the outdoor*
- 31 Outside Air Intake [note 13]** – Selects economizer control options. Select between disabled (NONE), economizer mode (ECON) and time of day (TOD) mode.

Time Step / Override	Cooling Call	External Air Output (A)		
		Economizer Mode	Time of Day Mode	Disabled
Occupied	YES or NO	ON	ON	OFF
Unoccupied	YES	ON	OFF	OFF
	NO	OFF	OFF	OFF
Override	YES or NO	ON	ON	OFF

Time Step / Override	Heating Call	External Air Output (A)		
		Economizer Mode	Time of Day Mode	Disabled
Occupied	YES or NO	ON	ON	OFF
Unoccupied	YES	OFF	OFF	OFF
	NO	OFF	OFF	OFF
Override	YES or NO	ON	ON	OFF

- 32 Heat Set Point Upper Limit** – Selects the heating set point upper adjustment limit.
- 33 Cool Set Point Lower Limit** – Selects the cooling set point lower adjustment limit.

## 5 System Testing



### **Warning** *Read Before Testing*

- Do not short (or jumper) across terminals on the gas valve or at the heating or cooling system control board to test the thermostat installation. This could damage the thermostat and void the warranty.
- Do not select the COOL mode of operation if the outside temperature is below 50° F (10° C). This could possibly damage the controlled cooling system and may cause personal injury.
- This thermostat includes an automatic compressor protection feature to avoid potential damage to the compressor from short cycling. When testing the system, make sure to take this delay into account.

**NOTE:** *The compressor delay can be bypassed by pressing the reset button on the front of the thermostat. All user settings will be returned to factory default, however all Installer settings will remain as originally programmed in section 4.*

- 1 Touch the **SYSTEM** TouchPad until the thermostat is in HEAT mode.
- 2 Using the SpeedBar® raise the set temperature a minimum of 3 degrees above the current room temperature. The system should start within a few seconds. With a gas heating system, the fan may not start right away.
- 3 Touch **SYSTEM** until the thermostat is in the OFF mode. Allow the heating system to fully shut down.
- 4 Touch **SYSTEM** until the thermostat is in the COOL mode.
- 5 Using the SpeedBar lower the set temperature a minimum of 3 degrees below the current room temperature. The system should start within a few seconds (unless compressor short cycle protection is active – See note above).
- 6 Touch **SYSTEM** until the thermostat is in the OFF mode. Allow the cooling system to fully shut down.
- 7 Touch **FAN** until the thermostat is in FAN ON mode. The system fan should start within a few seconds.
- 8 Touch **FAN** until the thermostat is in FAN AUTO mode. Allow the system fan to turn off.
- 9 If the thermostat is controlling auxiliary equipment such as a humidifier, economizer, etc., adjust the thermostat settings to test these devices.

## Limited Warranty

When installed by a professional contractor, this product is backed by a 5 year limited warranty. Limitations apply. For limitations, terms and conditions, you may obtain a full copy of this warranty:

- Visit us online: [www.braeburnonline.com/warranty](http://www.braeburnonline.com/warranty)
- Phone us: 866.268.5599
- Write us: Braeburn Systems LLC  
2215 Cornell Avenue  
Montgomery, IL 60538



***Store this manual for future reference.***

## *Braeburn*<sup>®</sup>

Braeburn Systems LLC  
2215 Cornell Avenue • Montgomery, IL 60538  
Technical Assistance: [www.braeburnonline.com](http://www.braeburnonline.com)  
Call us toll-free: 866-268-5599 (U.S.)  
630-844-1968 (Outside the U.S.)