



F61 Series Adaptor Plate Assembly INSTALLATION INSTRUCTIONS

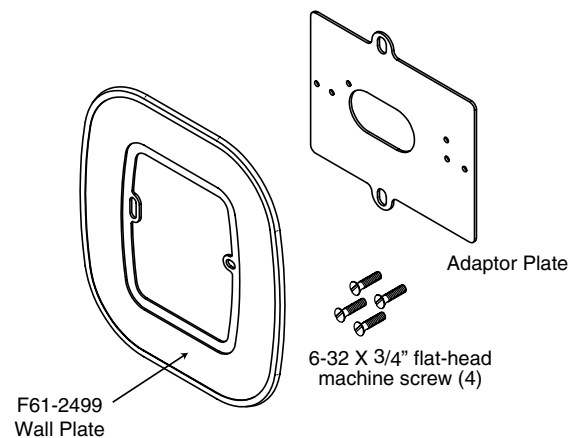
Operator: Save these instructions for future use!

FAILURE TO READ AND FOLLOW ALL INSTRUCTIONS CAREFULLY BEFORE INSTALLING OR OPERATING THIS CONTROL COULD CAUSE PERSONAL INJURY AND/OR PROPERTY DAMAGE.

DESCRIPTION

This adaptor plate assembly is designed for mounting a 1C20/1C21/1C26 series thermostat to the wall or to a junction box. The wall cover plate covers the junction box, wall damage, or old thermostat markings. The adaptor plate is designed to allow vertical thermostat mounting on vertical junction box.

All kits may not have adaptor plate or all screws shown.



PRECAUTIONS

CAUTION

To prevent electrical shock and/or equipment damage, disconnect electrical power at main fuse or circuit breaker until installation is complete.

NOTE

This instruction sheet is not intended as a wiring guide. Refer to the thermostat installation instructions to ensure proper wiring.

CONTENTS

Description	1
Precautions	1
Installation	2

INSTALLATION

FOR 1C20/1C21/1C26 DIGITAL THERMOSTATS

Figure 1. Mounting 1C20/1C21 thermostat to vertical junction box.

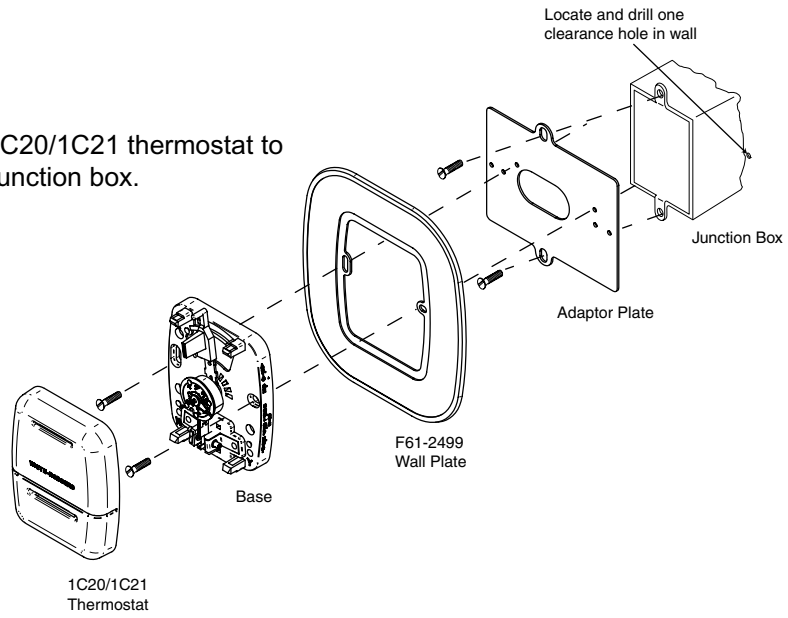
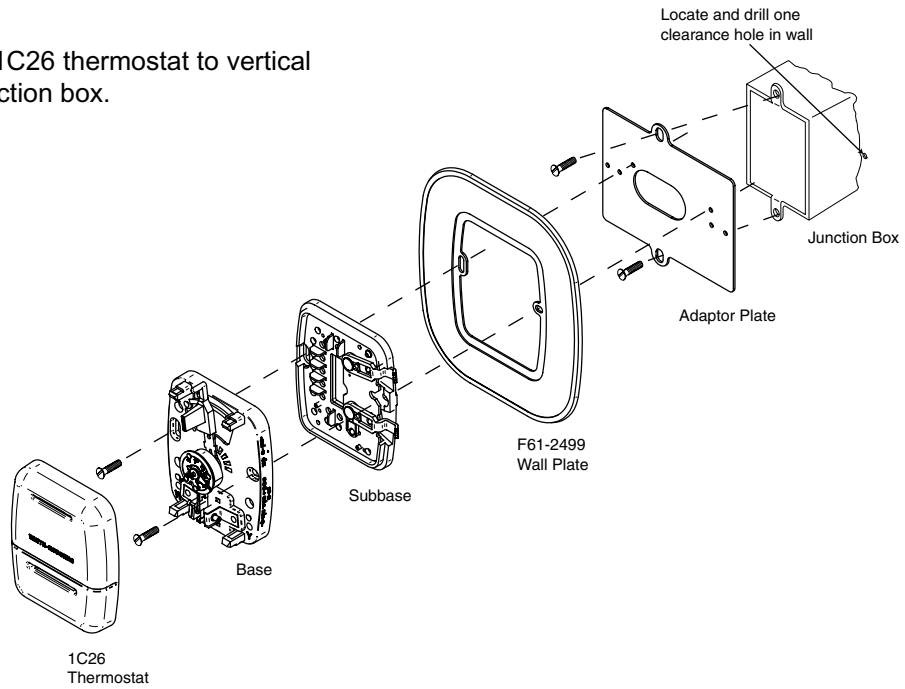


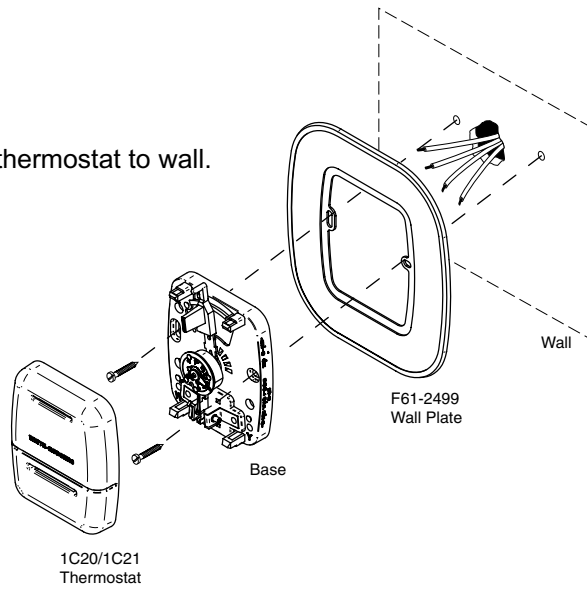
Figure 2. Mounting 1C26 thermostat to vertical junction box.



NOTE

When installing wall cover plate and thermostat directly to wall, use the pointed screws supplied with the thermostat.

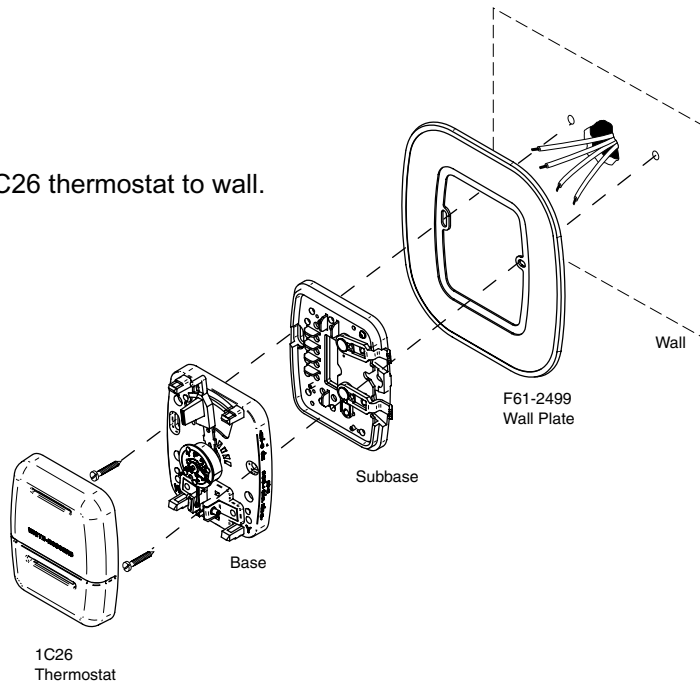
Figure 3. Mounting 1C20/1C21 thermostat to wall.



NOTE

When installing wall cover plate and thermostat directly to wall, use the pointed screws supplied with the thermostat.

Figure 4. Mounting 1C26 thermostat to wall.



For additional product information, please visit www.white-rodgers.com

The Emerson logo is a
trademark and service mark
of Emerson Electric Co.

